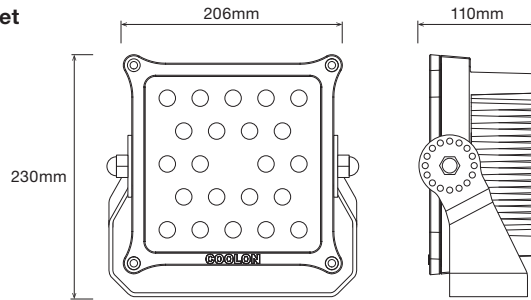


CP22 Luminaire w/ Standard Bracket



Electrical Characteristics

Voltage In
19 – 31VDC

Power
65W @ 24VDC

IP/IK Rating
IP66 / IK09

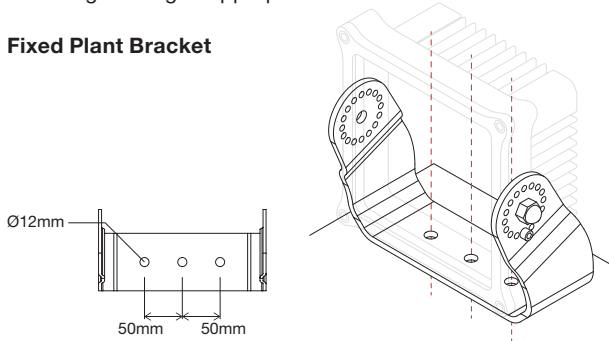
Operating Temperature
-20 to +50°C

MOUNTING BRACKET INSTALLATION

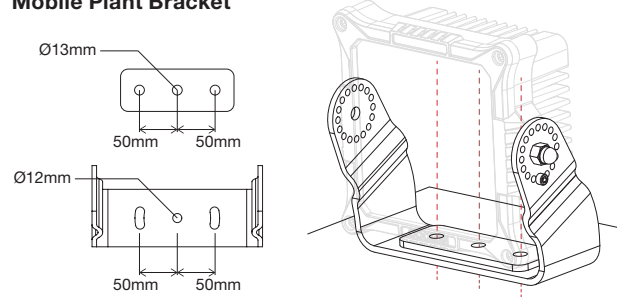
Step 1

Mount light fitting to appropriate location.

Fixed Plant Bracket

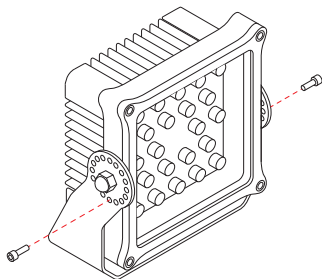


Mobile Plant Bracket



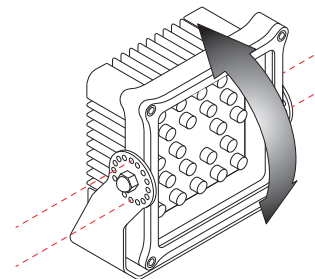
Step 2

To adjust the mounting angle, unscrew bolt and loosen dome nut.



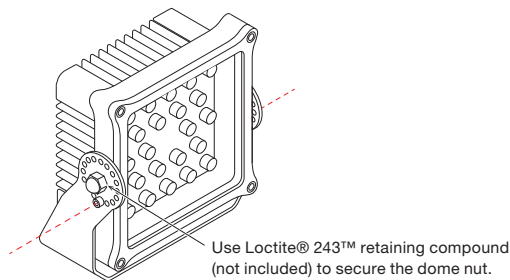
Step 3

Adjust the angle of the light fitting, and line up bracket holes to either the top or bottom mounting holes.



Step 4

Use Loctite® 243™ retaining compound (not included) to secure the dome nut. Screw in and tighten bolts on both sides.



CONFIGURATION

ELV

Extra Low Voltage

Deutsch DT04-2P Connector (Fits DT06-2S)



White (Positive)
Black (Negative)

