

IECEX ExTC 23.0006X Ex tb IIIC T65°C Db
CONDITION OF USE: The equipment may be operated in an ambient temperature range of -20°C to 50°C.

WARNING:
 Do not open any covers or optics. Factory sealed – no user serviceable parts inside. Potential electrostatic charging hazard – see cleaning instructions below.

CLEANING INSTRUCTIONS

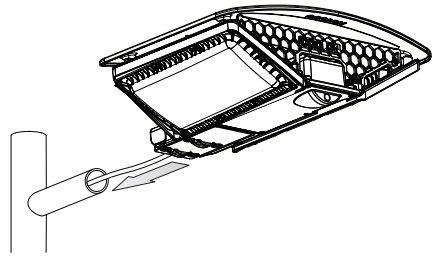
In order to ensure safe light levels are maintained during operation the optical face of the luminaire should be cleaned at regular intervals. The optical covers are made from polycarbonate.

- Use lukewarm soapy water and a soft sponge or cloth to clean the optical surface. If luminaires are not accessible by hand use a long-poled car or RV washing pad.
- If using soapy water rinse using clean water.
- After final rinse dry off with a soft cloth. Polycarbonate is vulnerable to scratching.
- Do not scrub with brushes, abrasive materials or sharp instruments as these will mark the surface.
- Never use solvents, alkaline cleaners, thinners or abrasive cleaners.
- Do not steam clean or high pressure wash.
- Never use: acetone, petrol, benzene, or solvents containing Butyl Cellosolve or Isopropanol.
- Incorrect cleaning which in any way damages the unit automatically renders void all warranties.

INSTALLATION INSTRUCTIONS

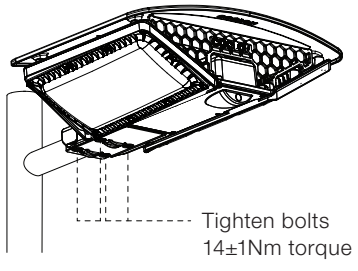
Step 1

Feed the cable through and slide the DLK onto the spigot.



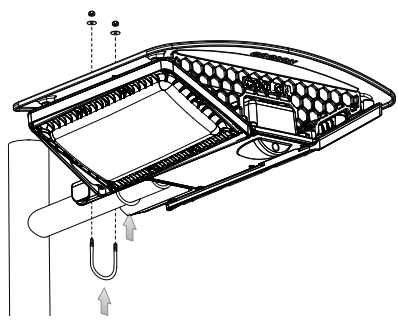
Step 2

Tighten bolts to secure luminaire to the spigot.



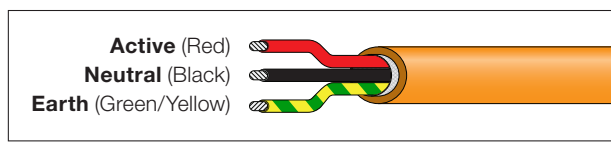
Step 3 *Optional U-Bolts

Mount the DLK to spigot by securing U-Bolts with washers and Nylock nuts.



WIRING

Mains (100 – 240VAC) Version



Cable needs to be terminated in a suitable enclosure such that the outer sheath provides the sealing for the inner sheath and conductors.

This is to eliminate the possibility of any ingress due to the capillary effect created as the unit goes through the warm up and cool down cycles.

