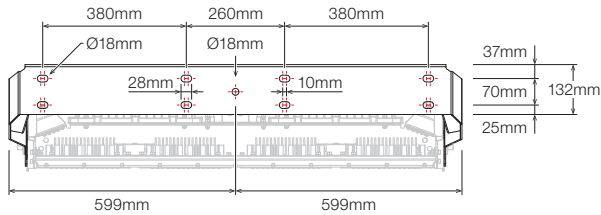
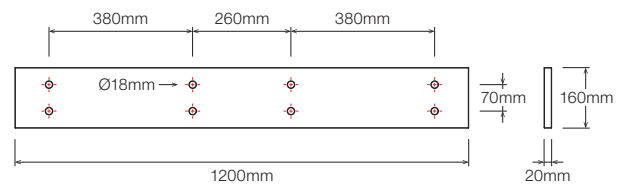


Mounting Bracket



Beam Coupling Plate (Optional Accessory)

ACC-BCP-BC400-PL330-MS



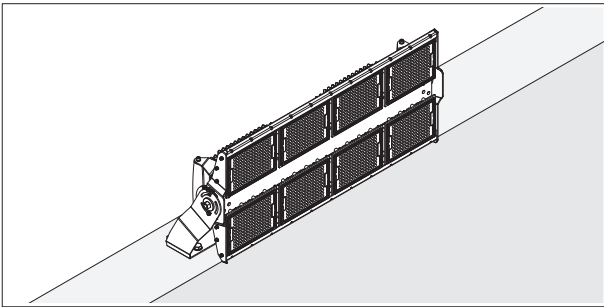
Technical Specifications

	VOLTAGE IN	FREQUENCY RANGE	POWER
MP-WVR Wide Voltage Range	200 – 440VAC / 254 – 550VDC	47 – 63Hz	960W
RPS230 Remote Power Supply	100 – 240VAC / 127 – 250VDC	47 – 63Hz	960W
RPS415 Remote Power Supply	277 – 440VAC / 352 – 500VDC	47 – 63Hz	960W

MOUNTING CONFIGURATIONS

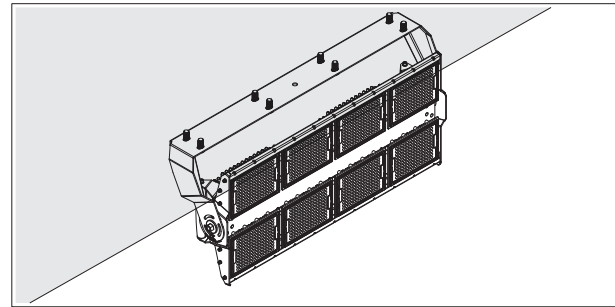
Horizontal Plane

To mount the XBLADE™ it is recommended to use:
 8 x M16 Grade A4 Stainless (316) bolts* **OR**
 8 x M16 grade 8.8 galvanised High Tensile Steel bolts*



Horizontal Plane - Suspended

To mount the XBLADE™ it is recommended to use:
 8 x M16 Grade A4 Stainless (316) bolts* **OR**
 8 x M16 grade 8.8 galvanised High Tensile Steel bolts*



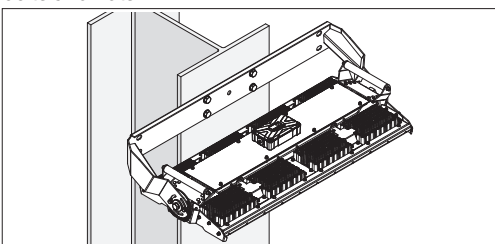
NOTE: The XBLADE™, may be mounted to various surfaces and with fewer than the recommended number of bolts, however, the customer is responsible to identify potential risks associated with the installation and to ensure appropriate measures are taken to maintain safety and proper working order. This may include the use of custom brackets, fall arrest hardware, etc.

*Mounting hardware not supplied by Coolon.

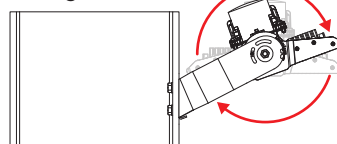
Vertical Plane

A beam coupling plate must be used to provide structural integrity along the length of the XBLADE™ mounting bracket in applications where the entire bracket cannot be fastened to a surface. Mount the XBLADE™ and Beam Coupling Plate using 8 x M16 bolts and nuts*.

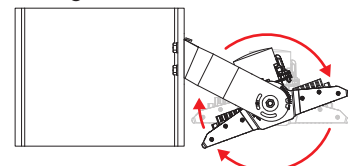
NOTE: XBLADE™ can rotate 360°. Please be aware of the power cable's position with respect to the angle of the luminaire, avoid cable damage due to excessive bending. When using the locking/securing screws 1 screw per side will be sufficient however some angles allow for an additional screw if desired.



Configuration A

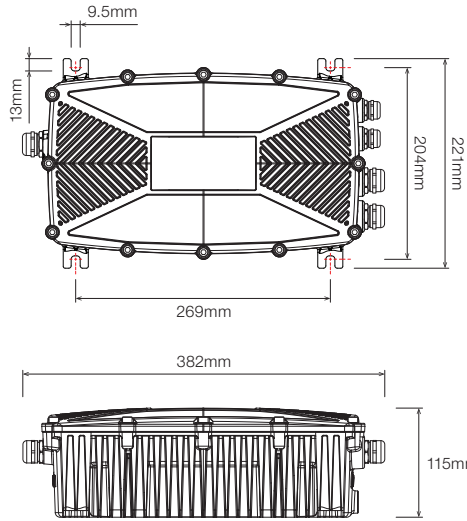


Configuration B



SIZING AND SPACING

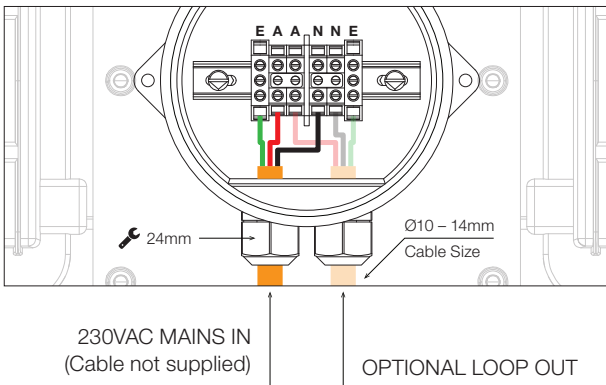
Remote Power Supply



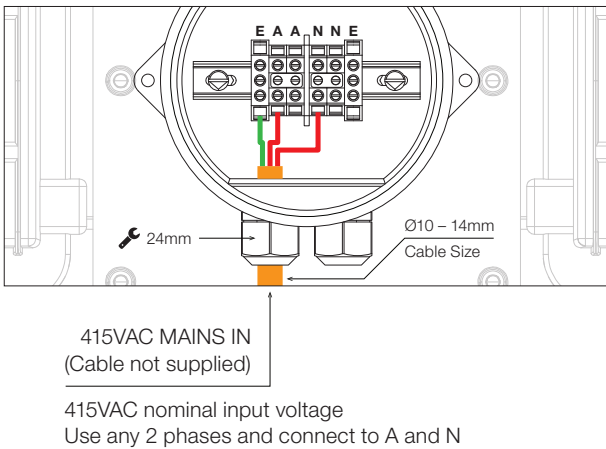
CONNECTION - MAINS

Open the junction box by rotating the lid counter-clockwise

230VAC



415VAC DELTA

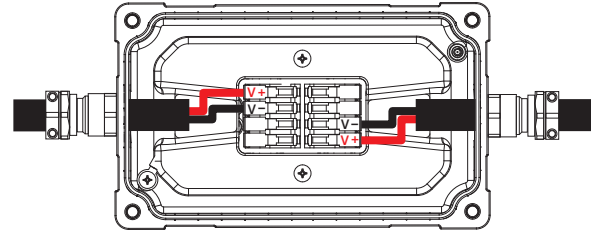


Once the product has reached end of life, unit is to be disposed of in accordance with local e-waste laws or regulations. Do not dispose of these products as unsorted municipal waste: take them for recycling. For information on your nearest recycling point, check with your local waste authority.

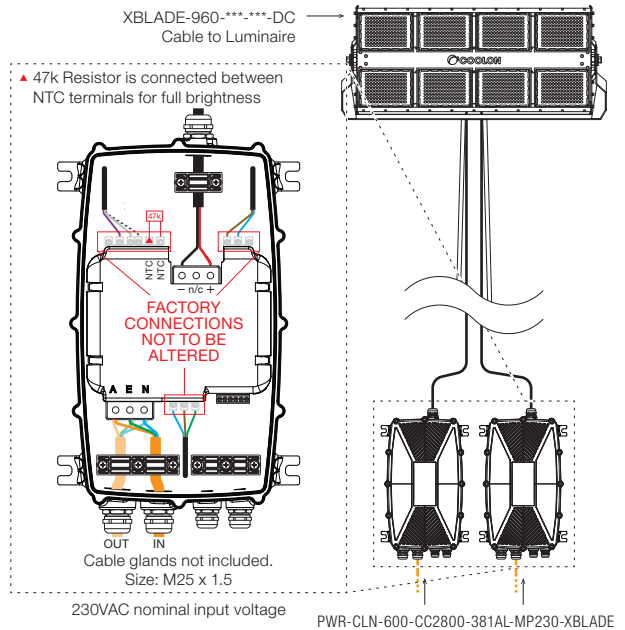
CONNECTION - RPS

Remove the junction box lid (4 x M6 SEMS Captive Screws) and connect wires from power supplies as per the diagram below.

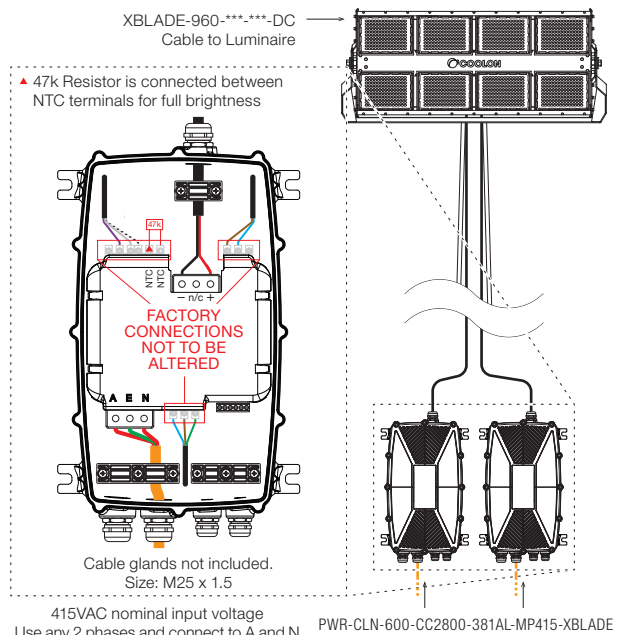
NOTE: No Polarity Protection. Observe correct DC polarity between power supply and luminaire. **Cable glands not included.** Size: M25x1.5. Cable gland with strain relief is recommended.



Kit Configuration (230VAC)



Kit Configuration (415VAC DELTA)



Distance between the power supply and luminaire can be extended up to 100 metres using a min 1.5mm².

NTC: Negative Temperature Coefficient.